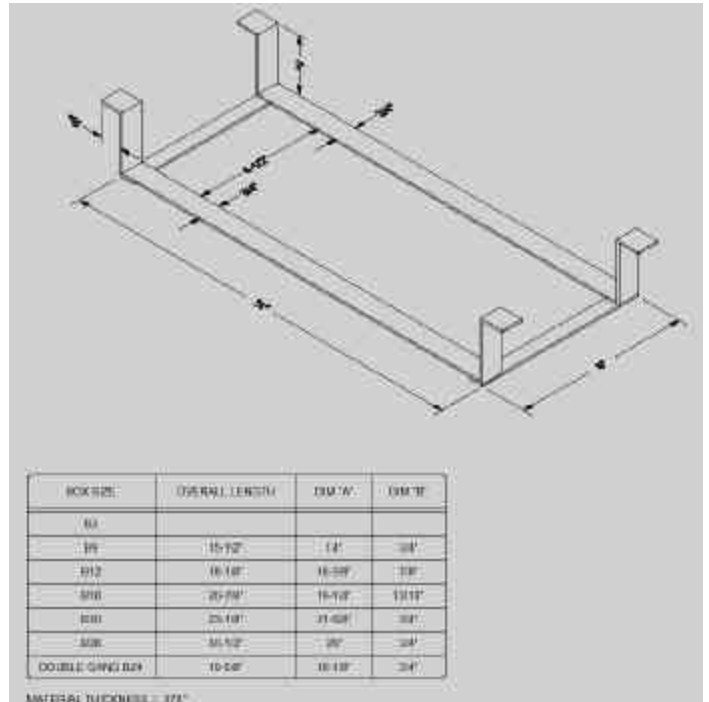
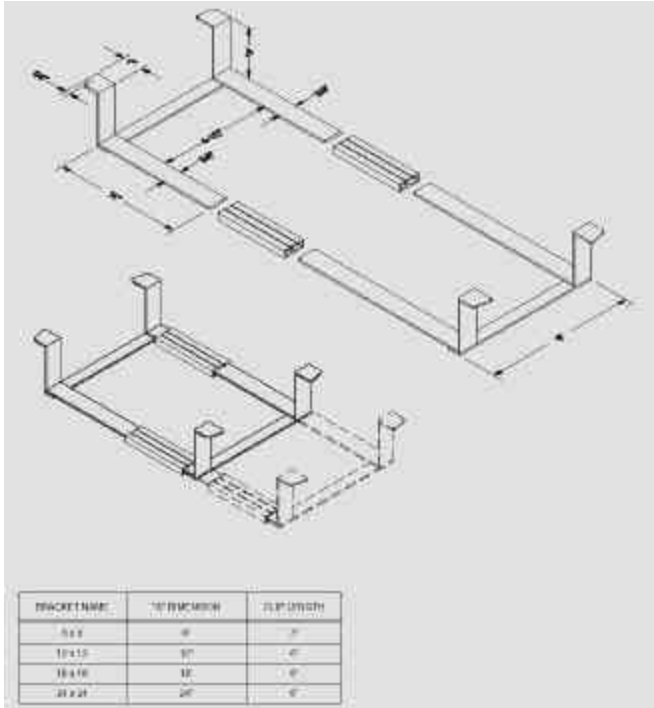


Brace Bracket patent pending



Adjustable Brace Bracket

**Trace, Orion, or Datamatic
Cross Brace**

Fixed Size Brace Bracket



The Brace Bracket is designed to be a simple, yet cost efficient method to mount an RF Transponder or ERT under a meter pit lid. The design assures that each and every installation is identical by locating the transponder at the correct level under the lid for the optimum RF performance. The bracket will also eliminate the need to purchase new lids or drill holes. The bracket requires no tools to install, remove or replace and allows the utility to locate the transponder where it best fits in the meter pit. In addition, the Brace Bracket eliminates all concerns related to mower, aerator, or traffic related damage and completely ends damage to wire or transponder when lid is lifted by homeowner not knowing that transponder is attached. The Brace bracket is simply the lowest cost, and easiest solution for under lid installation. For more information or request for samples please contact us at:

Vintage Water Works Supply
110 Dry Creek Road
Healdsburg, CA 95448

707-431-7473
707-431-0431 FAX
www.vintagewws.com

Jeff@vintagewws.com
Mike@vintagewws.com